

**Series 2, Washing machine, front loader, 8 kg, max. 1400 rpm WGE03408GB**



- **A rated:** save energy with our most efficient A rated appliances
- **Speed Perfect:** Cuts the cycle time by up to 65%\* without compromising on results.
- **Eco Silence Drive™:** the efficient, highly durable washing machine motor.
- **Anti Vibration™ sidewall:** extremely stable and especially quiet, thanks to special vibration protection.
- **Active Water Plus:** uses only the precise amount of water needed for every wash.

**Technical Data**

|   |                         |
|---|-------------------------|
| Energy Efficiency Class <sup>1</sup> :  | ..... A                 |
| Weighted energy consumption in kWh per 100 washing cycles of eco 40-60 programme: | ..... 46 kWh/100 cycles |
| Rated capacity, in kg, for the eco programme at full load (EU 2017/1369):         | ..... 8.0 kg            |
| The water consumption of the eco programme in liters per cycle:                   | 47 l                    |
| Duration of eco 40-60 programme in hours and mins at rated capacity:              | ..... 3:33 h            |
| Spin-drying efficiency class of eco 40-60 programme:                              | ..... B                 |
| Airborne acoustical noise emission class:   | ..... A                 |
| Airborne acoustical noise emissions :   | ..... 72 dB(A) re 1pW   |
| Built-in / Free-standing:   | ..... Freestanding      |
| Dimensions of the product:  | ..... 848x598x588 mm    |
| Net weight:   | ..... 70.9 kg           |
| Connection rating:  | ..... 2300 W            |
| Fuse protection:  | ..... 10 A              |
| Voltage:  | ..... 220-240 V         |
| Frequency:  | ..... 50 Hz             |
| Length electrical supply cord:  | ..... 210 cm            |
| Door hinge:   | ..... Left              |
| Wheels:   | ..... No                |
| EAN code:   | ..... 4242005440597     |
| Installation typology:  | ..... Free-standing     |

**Optional accessories**

- WMZ2200 Floor securing component
- WMZ2381 Extension for cold water inlet /Aquastop
- WMZMPF10 Microplastic Filter



<sup>1</sup> Scale of Energy Efficiency Classes from A to G

## Series 2, Washing machine, front loader, 8 kg, max. 1400 rpm WGE03408GB

### Performance

- Energy<sup>2</sup> / Water<sup>3</sup>: 46 kWh / 47 litres
- Load capacity: 1 - 8 kg
- Programme duration<sup>4</sup>: 3:33 h:min
- Spin drying efficiency class: B
- Spin speed<sup>\*\*</sup>: 400 - 1400 rpm
- Noise level: 72 dB (A) re 1 pW
- Noise efficiency class: A

### Programmes/functions

- Standard programmes: cottons, easy care, delicates, wool hand wash
- Special programmes: Mixed Load, Super Quick 15/30, Handwash/Wool, Delicates 30°C

### Key features

- SpeedPerfect: perfectly clean in up to 65% less time. \*\*\*
- Touch control buttons: Ready in, SpeedPerfect, start/pause with reload function, Spin speed reduction

### Additional features

- Reload function: Flexibility to add or remove laundry items of any size even after start of the wash cycle.
- Display for programme progress indication, spin speed, remaining time, 24 h end time delay and load recommendation
- Usage meter: counts completed programmes
- Drum volume: 65 litres
- Aqua Protection
- Fully electronic control dial for all wash and special programmes
- AntiVibration Design - for more stability and quietness
- EcoSilence drive with 10 year warranty
- ActiveWater Plus: for highly efficient use of water even with smaller loads thanks to automatic load detection.
- Foam detection system
- Safeguard monitoring system adjusts load distribution and programme settings to protect clothes
- No
- Buzzer to indicate the end of cycle
- Child lock
- Large white door with 160° opening
- Metal door catch
- Reload facility

### Technical Information

- Slide-under installation
- Dimensions (H x W): 84.8 cm x 59.8 cm
- Appliance depth: 58.8 cm
- Appliance depth incl. door: 63.2 cm
- Appliance depth with open door: 104.9 cm

<sup>1</sup> Scale of Energy Efficiency Classes from A to G

<sup>2</sup> Energy consumption in kWh per 100 cycles (in programme Eco 40-60)

<sup>3</sup> Weighted water consumption in litres per cycle (in programme Eco 40-60)

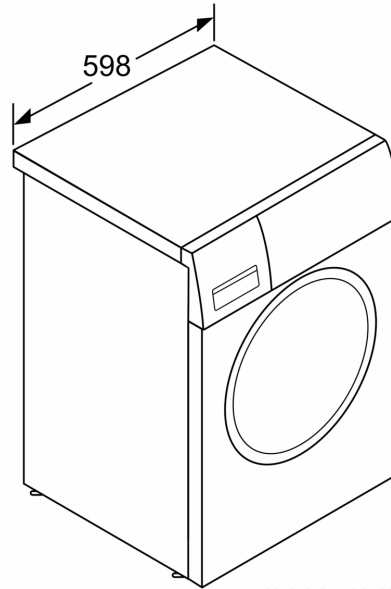
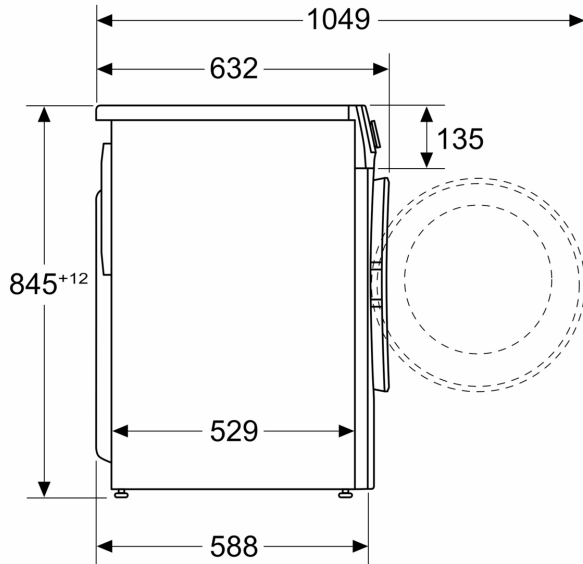
<sup>4</sup> Duration of Eco 40-60 programme

<sup>\*\*</sup> The maximum spin speed is automatically reduced in the case of laundry imbalances.

<sup>\*\*\*</sup> Comparison between the program duration of Easy-care 40°C and the program duration of Easy-care 40°C + activated Speed option

**Series 2, Washing machine, front loader, 8 kg, max. 1400 rpm  
WGE03408GB**

Measurements in mm



measurements in mm