

C55WSD 7.5kW 16Amp 3 Phase



Buttress Group Ltd.
Top Station Road, Brackley,
Northants NN13 7UG, UK



C55WSD

	Overall dimensions (W x D x H)	mm	575 x 605 x 820
	Packaging dimensions (W x D x H)	mm	670 x 690 x 980
↙	Gross weight	Kg	60
	Net weight	Kg	54
	Cubic volume	m ³	0.45
	Rack size	mm	500 x 500
☐	Door opening	mm	365
	Max useable height	mm	325/365 (glasses/plates)
	Rack guide rails		embossed
	Body construction		stratified double skin
	Tank construction		welded - stamped base
🔥	Tank volume	L	20
	Tank heating element	kW	2.0
	Surface scrap trays		composite (2mm mesh)
TANK	Wash arms		parallel (quick release)
	Wash pump type		dual flow
	Wash pump power	kW	0.5
	Wash temperature	°C	55 - 60 (adjustable)
🔥	Boiler type		open
	Boiler volume	L	6.0
	Breaktank		yes
BOILER	Boiler heating element	kW	5.0
	Rinse booster pump		yes
	Rinse booster pump power	kW	0.15
	Rinse temperature	°C	70 - 82 (adjustable)
	Rinse arms		parallel (quick release)
🚰	Drain system		partial drain
	Drain filter		triple filter
	Drain pump		yes
💧	Rinse aid dispenser	peristaltic	yes
	Detergent dispenser	peristaltic	yes
	Water consumption per cycle	L	1.5 - 2.0
🍷	Inlet water pressure	bar	0.5 - 6.0
	Fast program (GLS1)	sec	75
	Total programs	programs	9
⚡	Total power	kW	7.5
	Electric connection	V-Ph-Hz	400V 3+N 50Hz
	Fuse	A	16
🔗	Water softener		yes (continuous)



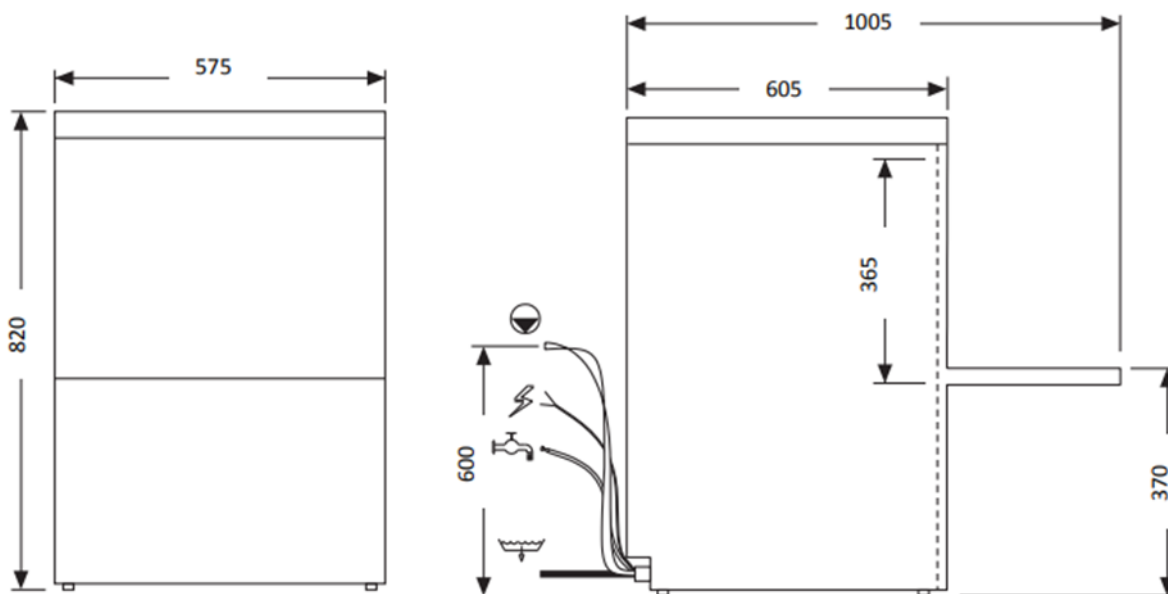
Supplied with

Dish rack	1
Flat rack	1
Cutlery rack	1
Electric cable	1
Drain hose	1
Fill hose	1

C55WSD 7.5kW 16Amp 3 Phase



Buttress Group Ltd.
Top Station Road, Brackley,
Northants NN13 7UG, UK



All services must be within 1 metre