

**Serie | 2, Fully-integrated dishwasher,  
45 cm  
SPV2HKX39G**



**Optional accessories**

- SGZ1010 : inlet and outlet hose extention
- SMZ5000 : Dishwashing aid set
- SMZ5003 : Retractable hinge f. high corpus dimens.
- SMZ5006 : decorative strips 81cm st.steel

**Connected dishwasher with noise reduction  
at any time via the Home Connect App.**

- **Home Connect:** home appliances with smart connectivity for an easier everyday life.
- **ExtraDry:** extra drying option for difficult-to-dry loads.
- **Silence on demand:** up to 30 min noise reduction at any time via the Home Connect App.
- **InfoLight:** a red infolight on the floor indicates whether the dishwasher is switched on or off.
- **Favourite function:** personalized function by just one touch.

**Technical Data**

Energy Efficiency Class:	E
Energy Consumption for 100 cycles Eco Programme:	70
Maximum number of place settings:	9
The water consumption of the eco programme in liters per cycle:	8.5
Programme duration:	3:40
Airborne acoustical noise emissions :	48
Airborne acoustical noise emission class:	C
Construction type:	Built-in
Height of removable worktop (mm):	0
Dimensions of the product (HxWxD):	815 x 448 x 550
Required niche size for installation (HxWxD):	815-875 x 450 x 550
Approval certificates:	CE, VDE
Depth with open door 90 degree (mm):	1150
Adjustable feet:	Yes - all from front
Maximum adjustability feet (mm):	60
Adjustable plinth:	both horizontal and vertical
Net weight (kg):	30.281
Gross weight (kg):	32.0
Connection rating (W):	2400
Fuse protection (A):	10
Voltage (V):	220-240
Frequency (Hz):	50; 60
Length of electrical supply cord (cm):	175
Plug type:	GB plug
Length inlet hose (cm):	165
Length outlet hose (cm):	205
EAN code:	4242005203444
Installation type:	Full-integrated



## Serie | 2, Fully-integrated dishwasher, 45 cm SPV2HKX39G

### Connected dishwasher with noise reduction at any time via the Home Connect App.

#### Performance

- Energy Efficiency Class<sup>1</sup>: E
- Energy<sup>2</sup> / Water<sup>3</sup>: 70 kWh / 8.5 litres
- Capacity: 9 place settings
- Programme duration<sup>4</sup>: 3:40 (h:min)
- Noise level: 48 dB(A) re 1 pW
- Noise Efficiency Class: C

#### Programmes / functions

- 5 programmes: Eco 50 °C, Auto 45-65 °C, Intensive 70 °C, Express 65°, Favourite
- Default favourite programme: Pre-Rinse
- 3 special options: Remote Start, Extra Dry, SpoD VarioSpeedPlus
- Machine Care Programme
- Silence on Demand (via app)

#### Flexible design elements

- Height adjustable top basket when empty
- Variable cutlery basket in bottom basket
- Low friction wheels on bottom basket
- Rack Stopper to prevent derailing of bottom basket
- 2 foldable plate racks in bottom basket
- Knife rack in top basket
- Upper rack cup shelf

#### Innovations and technology

- Home Connect ready on WLAN
- Heat exchanger.
- DosageAssist detergent dispenser
- EcoSilence BLDC drive
- Automatic detergent detection
- Aqua and loading sensor
- AquaMix - Glass protection system

#### Design features

- Push button top edge controls
- InfoLight (Red) - Light projection on the floor
- Large item spray head, steam protection plate
- Stainless steel interior
- DuoPower spray arm in upper basket
- Self-cleaning filter system with 3 piece corrugated filter
- Time delay (3, 6 or 9 hours)
- AquaStop: Bosch warranty in case of water damage - for the lifetime of the appliance. Please find warranty terms under <https://www.bosch-home.co.uk/customer-service/care-protection-and-parts/additional-warranties>
- Dimensions (HxWxD): 81.5 x 44.8 x 55cm

<sup>1</sup> Scale of Energy Efficiency Classes from A to G

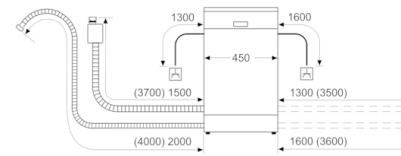
<sup>2</sup> Energy consumption in kWh per 100 cycles (in programme Eco 50 °C)

<sup>3</sup> Water consumption in litres per cycle (in programme Eco 50 °C)

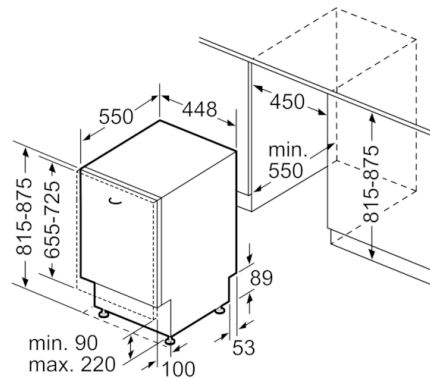
<sup>4</sup> Duration of programme Eco 50 °C

## Serie | 2, Fully-integrated dishwasher, 45 cm SPV2HKX39G

measurements in mm



socket  
( ) values with extension kit



measurements in mm