

**Serie | 6, Built-in washing machine, 8 kg, 1400 rpm  
WIW28301GB**



**Our washing machine with EcoSilence Drive: enjoy supremely quiet operation and excellent durability.**

- **EcoSilence Drive™:** extremely energy-efficient and quiet in operation with a 10-year warranty.
- **AllergyPlus:** specially developed for the needs of allergy sufferers and sensitive skin.
- **VarioDrum:** gentle washing thanks to a unique drum structure.
- **ActiveWater Plus:** For highly efficient use of water even with small loads thanks to automatic load detection.
- Easy-to-use LED display with touch control and many additional functions like start delay and remaining time.

**Technical Data**

|  |                 |
|--|-----------------|
| Energy Efficiency Class (Regulation (EU) 2017/1369):   | C               |
| Weighted energy consumption in kWh per 100 washing cycles of eco 40-60 programme (EU 2017/1369): | 62              |
| Maximum capacity in kg (EU 2017/1369):   | 8.0             |
| The water consumption of the eco programme in liters per cycle (EU 2017/1369):                   | 45              |
| Duration of eco 40-60 programme in hours and mins at rated capacity (EU 2017/1369):              | 3:16            |
| Spin-drying efficiency class of eco 40-60 programme (EU 2017/1369):                              | B               |
| Airborne acoustical noise emission class (EU 2017/1369):   | A               |
| Airborne acoustical noise emissions (EU 2017/1369):  | 66              |
| Construction type:   | Built-in        |
| Height of removable worktop (mm):  | 820             |
| Dimensions of the product (mm):  | 818 x 596 x 544 |
| Net weight (kg):   | 76.074          |
| Connection rating (W):   | 2300            |
| Current (A):   | 10              |
| Voltage (V):   | 220-240         |
| Frequency (Hz):  | 50              |
| Approval certificates:   | CE, VDE         |
| Length of electrical supply cord (cm):   | 210             |
| Door hinge:  | Left            |
| Wheels:  | No              |
| EAN code:  | 4242005210664   |
| Installation type:   | Full-integrated |



**Optional accessories**

- WMZ20441 :  
WMZ2200 :  
WMZ2381 :



## Serie | 6, Built-in washing machine, 8 kg, 1400 rpm WIW28301GB

**Our washing machine with EcoSilence Drive: enjoy supremely quiet operation and excellent durability.**

### Performance

- Energy Efficiency Class<sup>1</sup>: C
- Energy<sup>2</sup> / Water<sup>3</sup>: 62 kWh / 45 litres
- Load capacity: 1 - 8 kg
- Programme duration<sup>4</sup>: 3:16 h:min
- Spin drying efficiency class: B
- Spin speed<sup>\*\*</sup>: 400 - 1400 rpm
- Noise level: 66 dB (A) re 1 pW
- Noise efficiency class: A

### Programmes/functions

- Large display for programme progress indication, spin speed, remaining time, 24 hour end time delay and load recommendation.
- Touch control buttons: Ready in, SpeedPerfect, start/pause with reload function, Spin speed reduction
- Special programmes: Drain / Spin, Shirts, Mixed Load, Allergy +, Quiet Wash, Single Rinse, Handwash/Wool, 30°C
- Safeguard monitoring system adjusts load distribution and programme settings to protect clothes

### Key features

- Reload function: Be flexible in adding laundry items even after start of the wash cycle.
- ActiveWater Plus: for highly efficient use of water even with small loads thanks to automatic load detection.
- AntiVibration Design - for more stability and quietness
- EcoSilence drive with 10 year warranty

### Additional features

- AquaStop: Bosch home appliance with lifetime warranty against water damage\*
- Foam detection system
- Detergent dispensing: easy clean
- Divider for Liquid Detergent
- Buzzer to indicate the end of cycle

### Technical Information

- Fully integrated
- Furniture door is reversible
- Dimensions (H X W X D): 81.8 x 59.6 x 57.4 cm
- Height adjustment with cardanDrive
- adjustable base height: 15 cm
- adjustable base depth: 6.5 cm

<sup>1</sup> Scale of Energy Efficiency Classes from A to G

<sup>2</sup> Energy consumption in kWh per 100 cycles (in programme Eco 40-60)

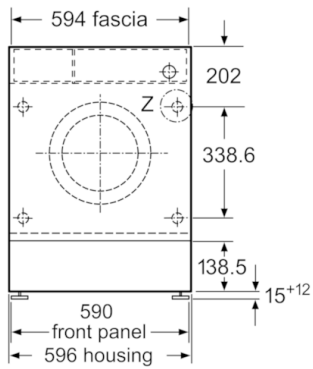
<sup>3</sup> Weighted water consumption in litres per cycle (in programme Eco 40-60)

<sup>4</sup> Duration of Eco 40-60 programme

<sup>\*\*</sup> Values are rounded.

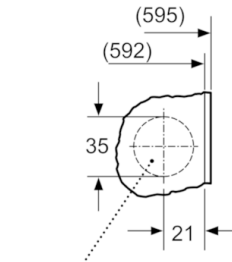
\* Please find warranty terms under: <https://www.bosch-home.co.uk/customer-service/care-protection-and-parts/additional-warranties>

**Serie | 6, Built-in washing machine, 8 kg,  
1400 rpm  
WIW28301GB**



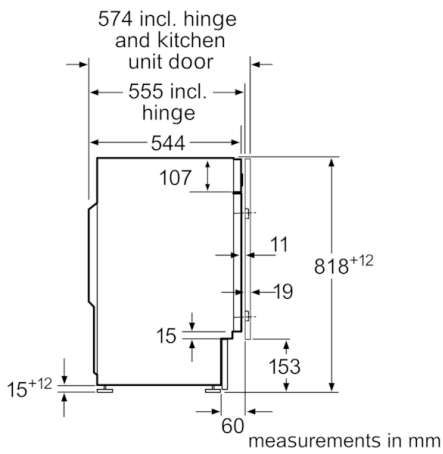
measurements in mm

Z detail

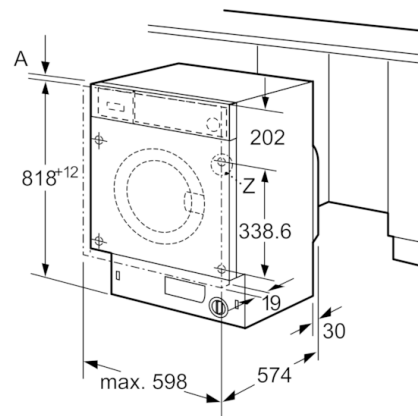


Hinge cup hole  
min. 12 deep

measurements in mm



measurements in mm



measurements in mm